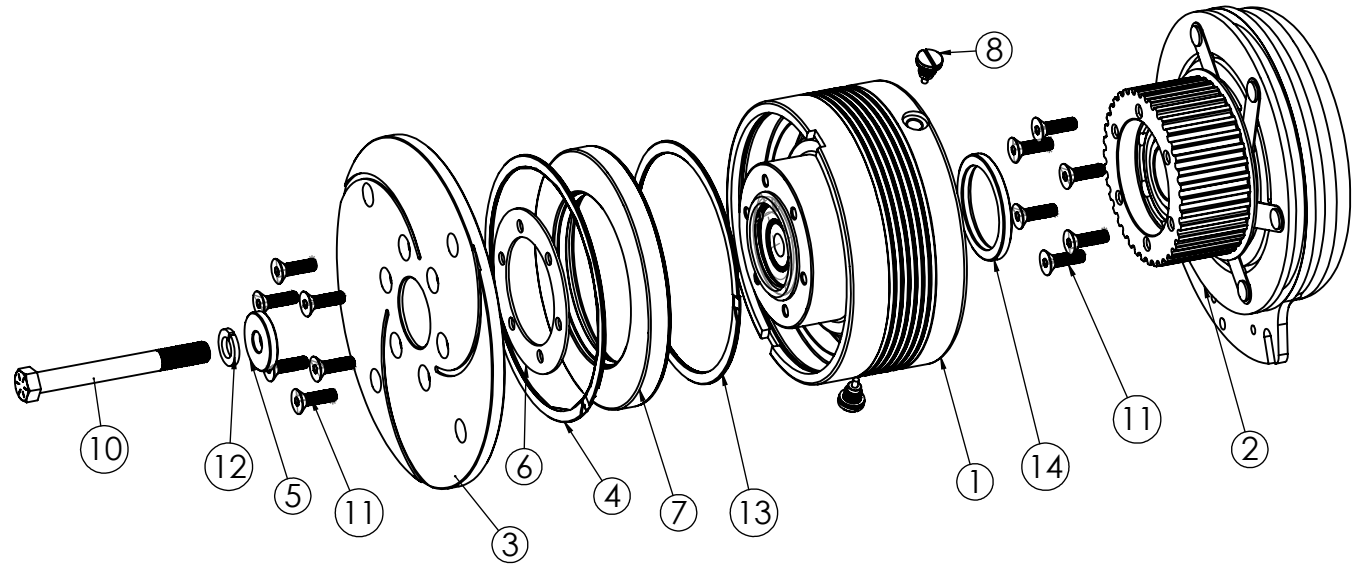


ITEM NO.	PART NUMBER	QTY.
1	STC-530 Transmission and Gear Hub assembly	1
2	STC-367 ELECTRIC CLUTCH -38 TOOTH NO FLANGE	1
3	STC-375 Planetary Brake Plate	1
4	STC-382 Snap Ring 5.5 Inch	1
5	STC-396 Washer .4375 SS	1
6	STC-400 Planetary End Cap Insulator	1
7	STC-525 Shaft Seal 90x140x13	1
8	SVC-033 Gearcase Drain Screw	2
9	SVC-033 GEAR CASE DRAIN SCREW GASKET	2
10	F-B206 Bolt 7/16-20 X 4	1
11	F-B218 Flat Head Screw	12
12	F-W33 Washer 7/16 L/W ZY	1
13	STC-383 Snap Ring	1
14	STC-410 Seal 2.25 x 1.75 x .188	1



38 TOOTH ASSY STC-534  
36 TOOTH ASSY STC-531  
INSTALL WITH F-M83 RADIUS KEY (NOT SHOWN)

