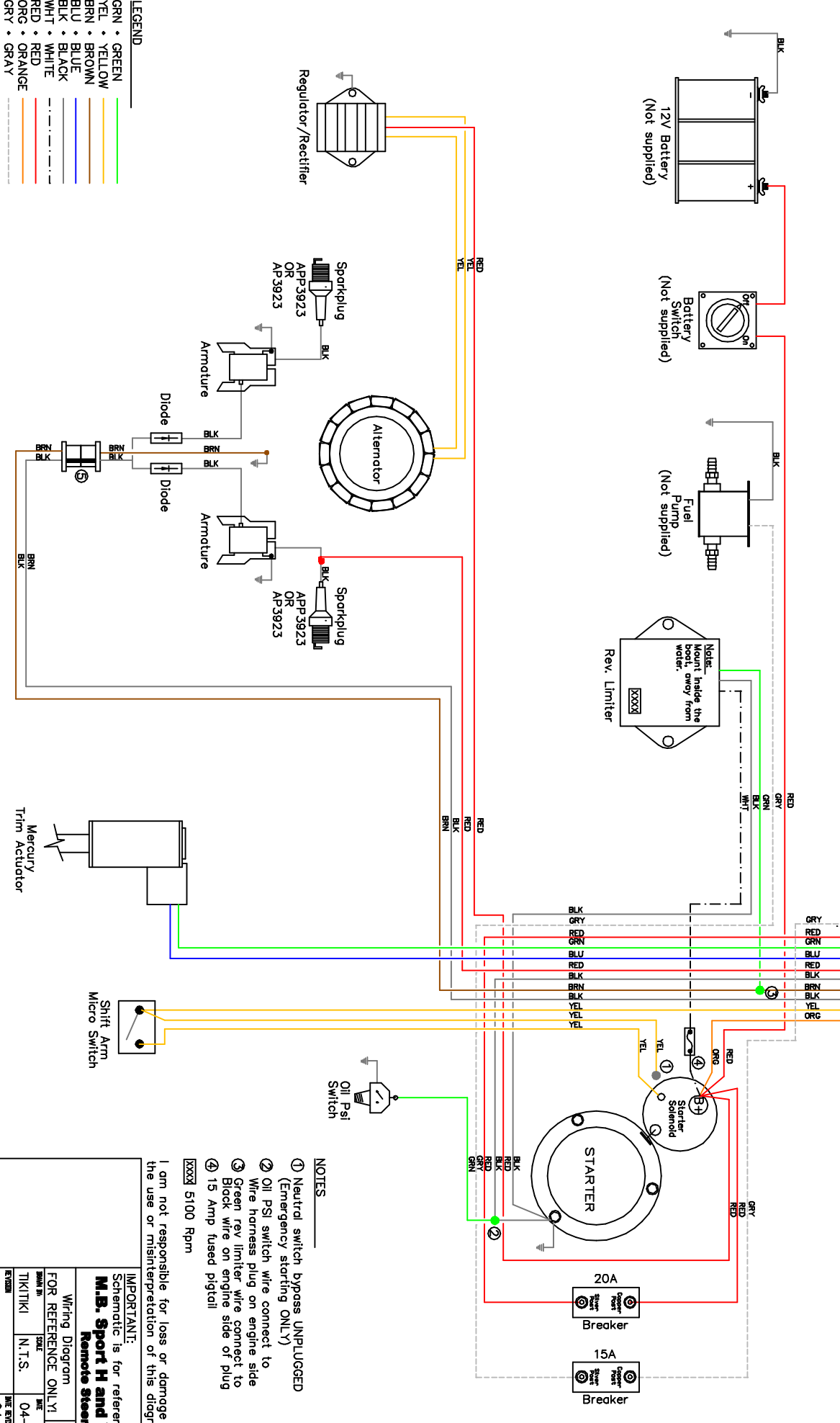


LEGEND

GRN • GREEN	---
YEL • YELLOW	---
BRN • BROWN	---
BLU • BLUE	---
BLK • BLACK	---
WHT • WHITE	---
RED • RED	---
ORG • ORANGE	---
GRY • GRAY	---



- NOTES**
- ① Neutral switch bypass UNPLUGGED (Emergency starting ONLY)
 - ② Oil PSI switch wire connect to
 - ③ Wire horsesh plug on engine side
 - ④ Green rev limiter wire connect to Black wire on engine side of plug
 - ⑤ 15 Amp fused pigtail
- XXXX 5100 Rpm

I am not responsible for loss or damage due to the use or misinterpretation of this diagram!!!

IMPORTANT:
Schematic is for reference Only
M.B. Sport H and V MAG. Remote Steer

Wiring Diagram		DATE
FOR REFERENCE ONLY!		N/A
SCALE	DATE	
TIKITIKI	N.T.S.	04-14-2012
EXTEND		04-16-2012